



NetMedia, Inc.
Tucson, Arizona

NetMedia, Inc.
10940 N. Stallard Pl
Tucson, Arizona 85737
TEL: (520) 544-4567
FAX: (520) 544-0800

PURCHASE TERMS AND CONDITIONS

The laws of the State of Arizona shall govern PURCHASE TERMS AND CONDITIONS.

LIMITED WARRANTY: NETMEDIA MAKES NO WARRANTIES OTHER THAN THOSE CONTAINED HEREIN AND NETMEDIA EXPRESSLY DISCLAIMS ANY AND ALL IMPLIED WARRANTIES, INCLUDING ANY WARRANTY OF FITNESS FOR A PARTICULAR PURPOSE OR OF MERCHANTABILITY.

The foregoing limited warranty shall not apply unless Buyer has paid in full the NetMedia products. Electronic updates to the NetMedia SitePlayer User's Manual and NetMedia SitePlayer software are available free to Registered Buyer upon request for a one (1) year period from the invoice date.

NOTICE

NetMedia, Inc. reserves the right to make improvements in the software product described in this manual as well as the manual itself at any time and without notice.

DISCLAIMER OF ALL WARRANTIES AND LIABILITY

NETMEDIA, INC. MAKES NO WARRANTIES, EITHER EXPRESSED OR IMPLIED, WITH RESPECT TO THIS MANUAL OR WITH RESPECT TO THE SOFTWARE DESCRIBED IN THIS MANUAL, ITS QUALITY, PERFORMANCE, MERCHANTABILITY, OR FITNESS FOR ANY PARTICULAR PURPOSE. NETMEDIA, INC. SOFTWARE IS SOLD OR LICENSED "AS IS". IN NO EVENT SHALL NETMEDIA, INC. BE LIABLE FOR INCIDENTAL OR CONSEQUENTIAL DAMAGES RESULTING FROM ANY DEFECT IN THE SOFTWARE.

Copyright (c) 2000 NetMedia, Inc.

All rights are reserved. This manual may not, in whole or part, be copied, photocopied, reproduced, translated, or reduced to any electronic medium or machine-readable form without the prior agreement and written permission of NetMedia, Inc.

Table of Contents

SitePlayer Development System	1
Packing List	1
SitePlayer Development Board	1
Development Board Features	2
Development Board Connections	2
<i>J12 Power Connection</i>	2
<i>J9 Serial Connection</i>	2
<i>J13 Ethernet Connection</i>	2
Header Connections	3
<i>J3 Header Connection</i>	3
<i>Jumper J5 Serial mode selection</i>	3
<i>J11 Header Connection</i>	3
<i>H3/H4 Header Connections</i>	3
<i>J2 Header Connection</i>	3
Development Board Devices	4
<i>Link Light</i>	4
<i>Red/Green LEDs</i>	4
<i>Push Buttons</i>	4
<i>Thermistor J4</i>	4
Development Board Schematic	5

SitePlayer Development System

The SitePlayer™ Development system is designed to give integrators a head start on SitePlayer product development. As well as providing the necessary network and programming connections for the SitePlayer Module, the development board also contains many user controllable I/O features like LEDs, push buttons and DAC/PWM outputs that help speed along the development process.

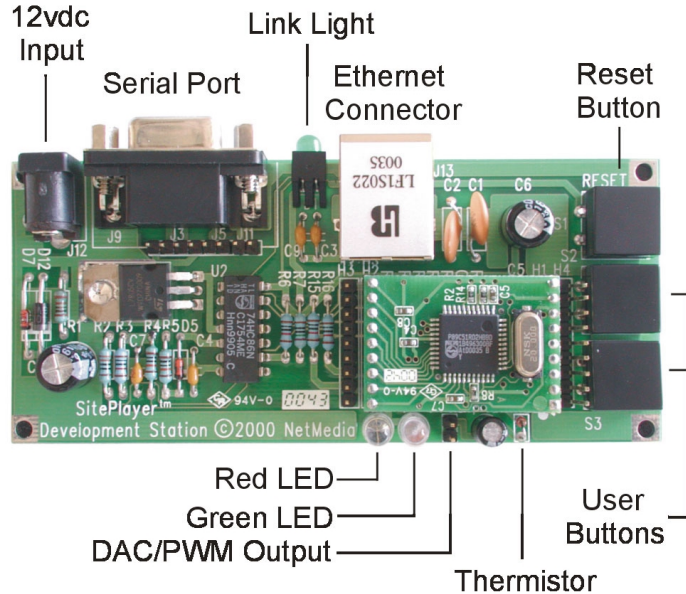
Packing List

- 1 SitePlayer Development Board
- 1 SitePlayer Module (Pre-installed on Development board)
- 1 SitePlayer Software CD
- 1 6' Ethernet Cable
- 1 6' Serial Cable
- 1 12vdc wall transformer

If you find your development kit is missing any of the above items please contact your SitePlayer sales representative for replacement information.

SitePlayer Development Board

The SitePlayer Development board is a demonstration/development platform for the NetMedia, Inc. SitePlayer module.



Development Board Features

- Ethernet interface for connecting SitePlayer module to internet/intranet
- Serial connection provides non-Ethernet access to the SitePlayer module
- Link Light provides visual indication of proper Ethernet hardware connection
- Reset button allows users to force a SitePlayer module hardware/software re-boot
- Red/Green LEDs can be programmed to provide visual program status
- User push buttons allow the construction of simple user interfaces
- Thermistor enables SitePlayer to provide temperature readings
- DAC/PWM outputs can be used to control external equipment/devices

Development Board Connections

J12 Power Connection

J12 is the Development boards power in connection.

J12 voltage Input Requirements:
6-12vdc (100mA minimum) center pole positive

J9 Serial Connection

The DB-9 serial connector is used to connect SitePlayer modules to host devices such as PCs or microcontrollers. The DB-9's RX and TX lines are routed through an inverter on the development board to convert the SitePlayer modules inverted serial signals into a standard non-inverted PC readable format.

Please refer to the development boards schematic for more details on the DB-9 connections.

J13 Ethernet Connection

J13 is the SitePlayer modules physical network connection. While visually similar to standard RJ-45 connectors the LF1S022 Ethernet connector used on the SitePlayer Development board contains internal filtering and isolation circuitry.

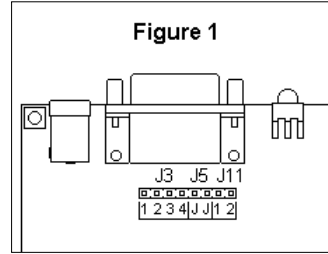
Header Connections

J3 Header Connection

The **J3** header provides test and interface access to the development boards DB-9 TX/RX and ground connections.

Pinout

- J3** Pin1 = DB-9 Pin5 (PC Ground)
- J3** Pin2 = DB-9 Pin3 (PC TX)
- J3** Pin3 = DB-9 Pin2 (PC RX)
- J3** Pin4 = DB-9 Pin5 (PC Ground)



Jumper J5 Serial mode selection

The development boards 74HC86N Hex inverter chip converts the SitePlayer **modules** normally inverted serial RX/TX serial data pins into a non-Inverted (Standard PC readable) format. If communication with a standard PC is desired then **J5** should not be jumpered.

- J5** no jumper installed = Serial RX/TX non-inverted PC readable format (Factory Default)
- J5** Jumper installed = Serial Transmit/Receive inverted (For use with inverted serial devices)

J11 Header Connection

The **J11** header connections provides experimentation and test connection access to the SitePlayer modules I/O 0 pin.

Pinout

- J11** Pin1 = Ground
- J11** Pin2 = SitePlayer Module I/O 0 (Pin 11 on SitePlayer Module)

H3/H4 Header Connections

H3 and **H4** are extensions of H2 and H1 and have been provided to allow easy access to the SitePlayer Module pins for testing and or connection purposes. Header **H3** is a duplicate of H2 and **H4** is a duplicate of H1. **H4's** pins have been extended to allow easy access to the **H4's** pins and the Development boards push buttons when both are implemented.

J2 Header Connection

J2 is the DAC/PWM output of the SitePlayer Module.

Pinout

- J2** Pin1 = Ground (Pin closest to the bottom of the development board)
- J2** Pin2 = DAC/PWM output

Please refer to the development boards schematic for more details on J2's connections.

Development Board Devices

Link Light

The link light is located between the development boards serial and Ethernet connectors. The Development boards link light is controlled by the SitePlayer modules Ethernet chip and will illuminate green whenever an Ethernet connection is detected. Note: Neither the development boards link light nor the SitePlayer modules link light output pins are user controllable.

Red/Green LEDs

D2 is the RED LED and is tied to the SitePlayer modules Pin14 (Software I/O line 3). D3 is the GREEN LED and is tied to the SitePlayer modules Pin15 (Software I/O line 4). Both LEDs are active low.

Please refer to the development boards schematic for more details

Push Buttons

Both momentary push buttons S2 and S3 are tied high through 10K pull-up resistors. When pressed both S2 and S3 will produce logic 0. Button S2 is connected to pin12 (Software I/O line 1) of the SitePlayer module and S3 to pin13 (Software I/O line 2).

Please refer to the development boards schematic for more details

Thermistor J4

Thermistor **J4** is connected to SitePlayer module pin18 (Software I/O line7) through an RC (Resistor capacitor) circuit. This feature of the development board is not currently supported.

Development Board Schematic

